

# Access Security eHandle Overview Sheet

With the Enlogic Access Security eHandle, customize your data center’s multilevel security protection. The device controls cabinet door access by requiring users to enter one or more security credentials to gain access. The system is an intelligence hub for data center rack doors, with security and environmental monitoring to simplify connectivity between the network controller and the PDU. It also manages temperature, humidity, door-open status, contains a built-in alarm beacon, and security for single or dual factor authentication. Enlogic’s eHandle easily connects to the PDU and is controlled and powered by the PDU.

## RFID Authentication

SKU: EA9502

## Dual Factor Authentication

SKU: EA9500, RFID + User Pin



Supported RFID Cards	
MIFARE Classic 4k – UID	HIS iClass – UID
MIFARE Plus 2k – UID	HID 125 kHz Prox – CSN
MIFARE DESFire 4k – UID	EM125 kHz Prox – CSN

Note: MIFARE, MIFARE Classic, MIFARE Plus and MIFARE DESFire are trademarks of NXP B.V. HID ICLASS is a registered trademark of HID Global.

## SKU Details

### Security Access eHandle

EA9502	Security Access eHandle Supports Physical Key Entry + Electronics access
EA9500	Security Access eHandle Supports Physical Key Entry + Electronics access + RFID card reader + Keypad

### eHandle Accessories

EA9550	Door Open/Close + Single Temperature Sensor
EA9551	Door Open/Close + 3 Temperature Sensor

## Technical Specs

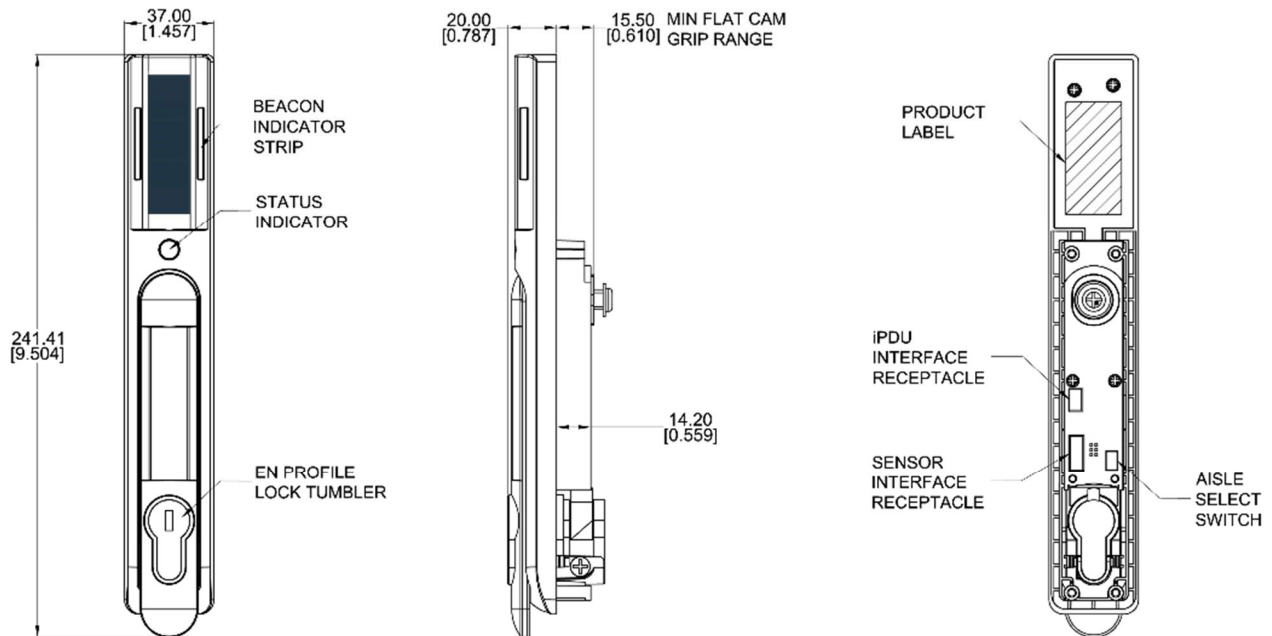
### Security Access eHandle

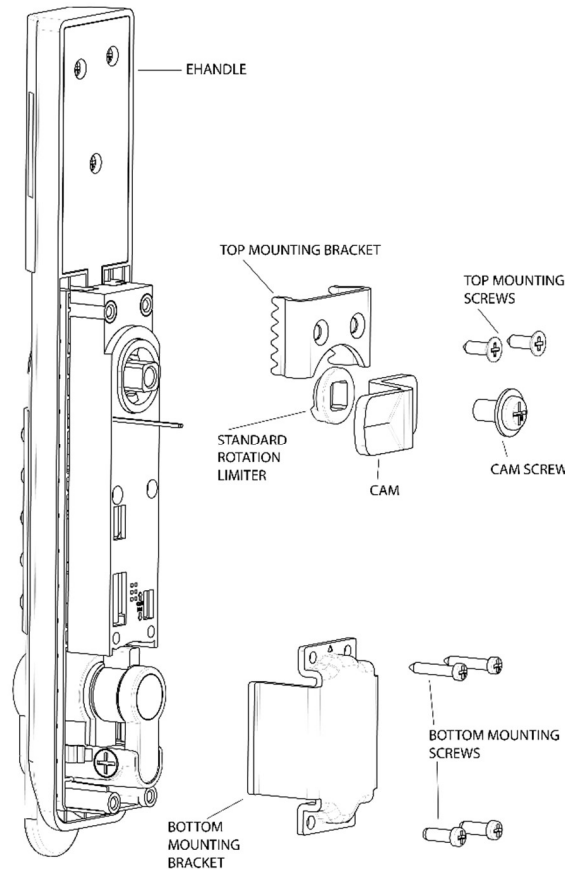
Operating Temperature	10 to 60°C (50 to 140°F)
Storage Temperature	-20 to 70°C (-4 to 158°F)
Humidity	10-90% RH / 5-95% RH; non-condensing
Max operating	3,000 m (9,840 ft)

### Compliance

Safety & Environmental	EMC, FCC, UL Listed to UL60950-1, RoHS Compliant
------------------------	--

## Drawing Specs





## About CIS

CIS Global has delivered superior product development, manufacturing, and logistics management since 1955 to small and large customers across the globe. We specialize in data center products including mechanical motion and power management solutions. As world market share leader in precision server rails and OEM market share leader in PDUs, CIS designed and built products are found in nearly every data center worldwide.

CIS has more than 20 years' experience manufacturing more than 2-million best-in-class PDUs. CIS acquired Enlogic in 2015 and remains dedicated to providing the industry's most innovative power management solutions build with the highest manufacturing quality.

**Americas**  
USA  
+1 (636) 821 5200  
AMERsales@cisww.com

**Europe/Middle East**  
UK  
+44 (1905) 401700  
EMEAsales@cisww.com

**Australia & New Zealand**  
Australia  
+61 (39) 9997303  
ANZsales@cisww.com

Hong Kong  
+852 (58) 016700

**Asia**  
India  
+91 (800) 4430029  
APACsales@cisww.com

Taiwan  
+886 (801) 491390